

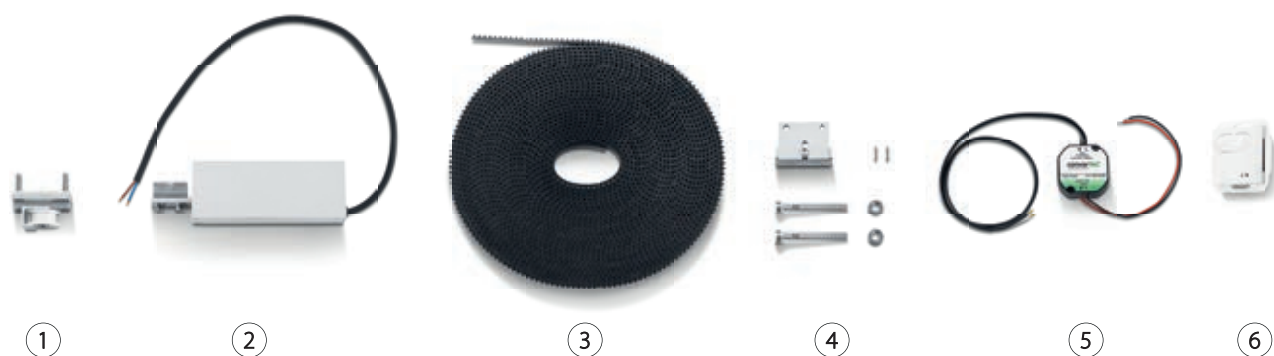
## GEZE Perlan AUT-NT

### The simple kind of sliding door automation

GEZE Perlan AUT-NT is a simple, elegant and cost-effective solution for the automation of light-weight internal sliding doors of up to 80 kg with all the added convenience of an automatic door. The convenient Push&Go function automatically sets the drive in motion with just a light push of the door leaf. The opening speed of up to 0.3 m/s, as well as the soft start and braking functions of the drive support access convenience. Various operating modes enable the system to be adapted to individual user requirements. Perlan AUT-NT moves the door safely and almost silently. The drive fulfils all specifications with regard to low energy operation in accordance with DIN EN 18650 and DIN EN 16005. This means that the use of additional safety sensors to safeguard the system is not necessary for this application. In the event of a power failure, the door can be opened by hand and used safely even in the event of an emergency.

Perlan AUT-NT is suitable for wooden and glass doors and, in conjunction with the standard GEZE Perlan 140 roller-guided sliding fitting system, can be employed in just about any installation situation and with any type of door leaf.

Perlan AUT-NT can be adapted flexibly to suit leaf widths of 500 to 3000 mm either as a standard set or fitted on site.



#### System components

- 1 = Return pulley
- 2 = Perlan AUT-NT drive
- 3 = Toothed belt
- 4 = Driver for glass clamping plate
- 5 = Power supply
- 6 = Push button with control

## APPLICATION RANGE

- Low-energy sliding door drive in accordance with DIN 18650 / EN 16005
- For automating internal doors of up to max. 80 kg
- For all 1- and multiple-leaf Perlan sliding doors
- Max. speed can be set up to 0.3 m/s
- Particularly suitable for automating sliding doors in living areas

## TECHNICAL DATA

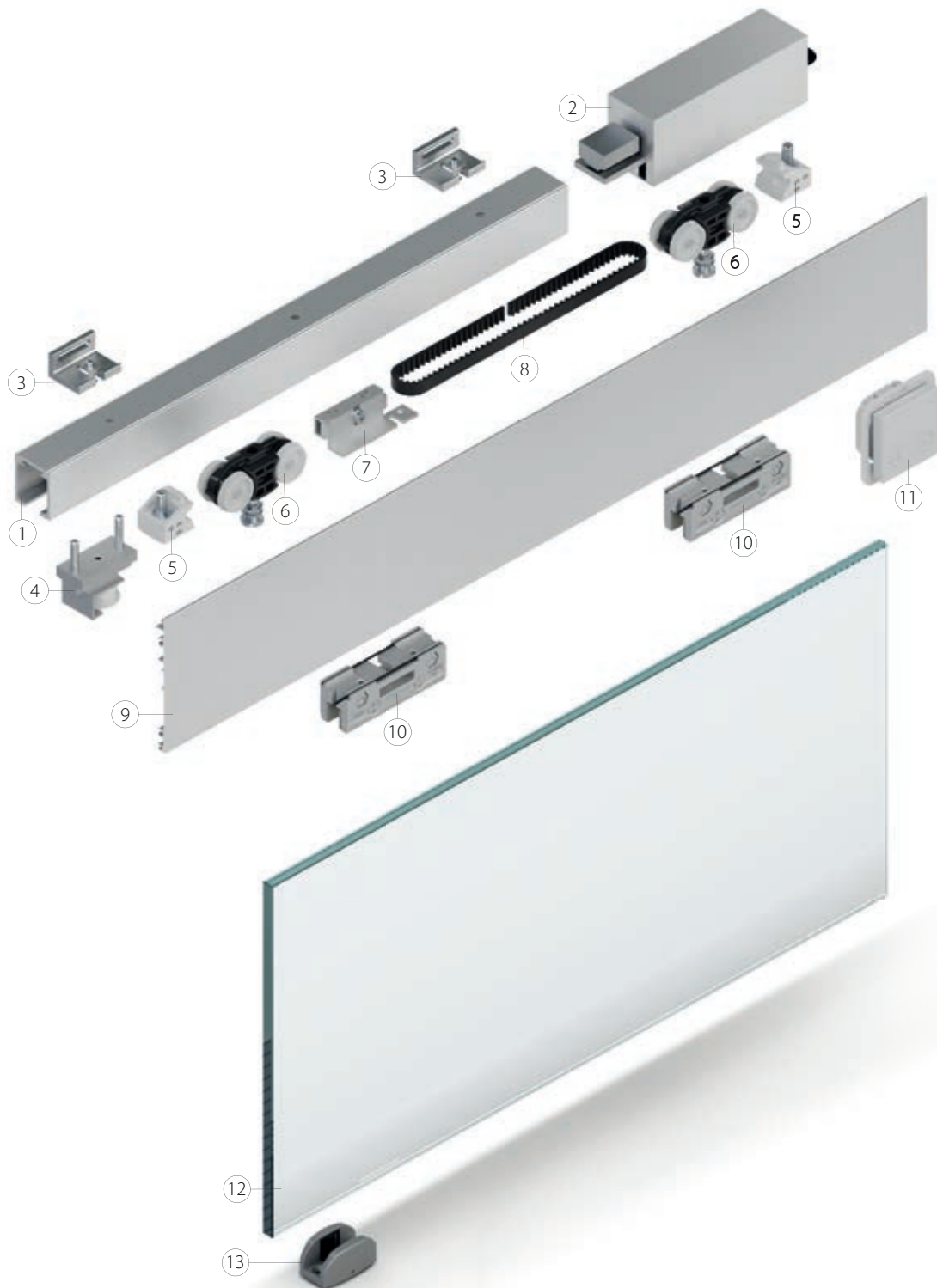
Product features	GEZE Perlan AUT-NT
Leaf material	Wood, plastic, metal, glass
System weight (max.)	80 kg
Number of leaves	1-leaf, 2-leaf
Type of installation	Wall installation, ceiling installation
Automated	•
Fixed panel	•
Product tested in accordance with	DIN 18650, EN 16005

• = yes

# GEZE PERLAN AUT-NT

## OVERVIEW OF COMPONENTS

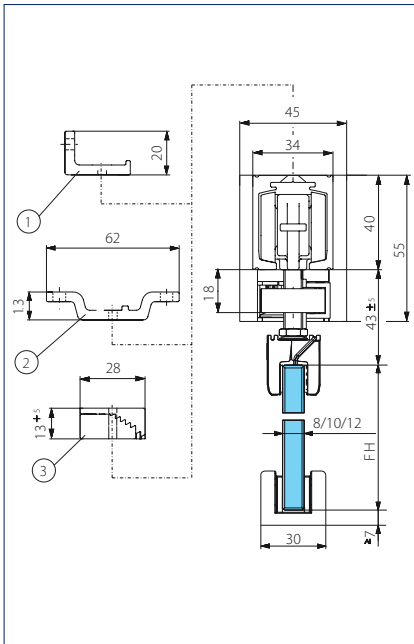
### GEZE Perlan AUT-NT glass leaf wall mounting with glass clamping plate 30 mm and clip-on cover 100



- |   |                                     |    |   |
|---|-------------------------------------|----|---|
| 1 | = Track Perlan 140                  | 8  | = Toothed belt                            |
| 2 | = Drive Perlan AUT-NT               | 9  | = Clip-on cover 100                       |
| 3 | = Wall bracket                      | 10 | = Glass clamping plate 30 mm              |
| 4 | = Return pulley                     | 11 | = Push button with control                |
| 5 | = End stop Perlan 140               | 12 | = Glass leaf (on site)                    |
| 6 | = Roller carriage Perlan 140        | 13 | = Floor guide for glass leaf (adjustable) |
| 7 | = Driver Glass clamping plate 30 mm |    |   |

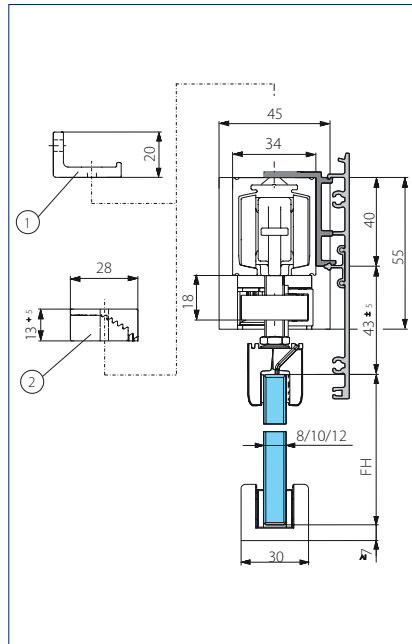
Fixture can be made with height compensation mechanism on the ceiling or with a bracket on the wall.

CROSS-SECTION DRAWINGS



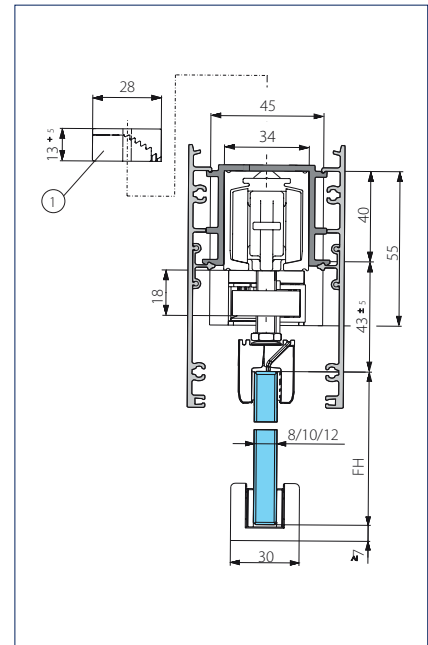
Wall / ceiling mounting glass

- FH = Leaf height  
 1 = Wall bracket  
 2 = Ceiling bracket  
 3 = Height compensation mechanism



Wall / ceiling mounting glass with clip-on cover 100, one-sided

- FH = Leaf height  
 1 = Wall bracket  
 2 = Ceiling bracket  
 3 = Height compensation mechanism



Wall / ceiling mounting glass with clip-on cover 100, on both sides

- FH = Leaf height  
 1 = Wall bracket  
 2 = Ceiling bracket  
 3 = Height compensation mechanism

ORDER INFORMATION

Description	Length	Version	ID No.
Perlan AUT-NT Set for wooden leaves For automating 1 or 2-leaf Perlan sliding doors up to 80 kg leaf weight. Set comprising: 1 x control unit with push button, 1 x power supply, 1 x drive unit with 2.5 m control cable, 1 x return pulley, 1 x driver for leaf, toothed belt 12.5 m Additional driver required for 2-leaf doors			139924
Perlan AUT-NT Set for glass leaves For automating 1 or 2-leaf Perlan sliding doors up to 80 kg leaf weight. Set comprising: 1 x control unit with push button, 1 x power supply, 1 x drive unit with 2.5 m control cable, 1 x return pulley, 1 x driver for glass clamping plate 45 mm, toothed belt 12.5 m Additional driver required for 2-leaf doors			139925
<b>Accessories</b>			
GEZE plastic elbow switch Very flat design, IP rating 30, H=180 mm		stainless steel optic white	114077 114078
Driver glass clamping plate 30mm For Perlan AUT-NT + Duosync 2, including 2 x elongated suspension bolts			143295
Driver glass clamping plate 45 mm For Perlan AUT-NT + Duosync 2, including 2 x elongated suspension bolts			134281
Driver wood For Perlan AUT-NT + Duosync 2, including 2 x elongated suspension bolts			134280
Perlan AUT-NT motor cable	100,000 mm		141440
Perlan AUT-NT motor cable, bespoke			141452
Perlan AUT-NT toothed belt	78,000 mm		141500
Perlan AUT-NT toothed belt, bespoke			141561
Power supply Perlan AUT-NT			139994